



Philips 恒亮 LEDtube T5



PHILIPS



Philips 恒亮 LEDtube T5 is a reliable value-for-money LED lamp out of Philips lighting portfolio, incorporated with frontier LED chips and other advanced technologies. The product helps customers to achieve up to 40% energy saving and significant maintenance cost reduction by comparing to fluorescent lamps. It also helps generate natural and comfortable lighting effect, and to build up green and environment friendly image for our customers.

Product Features

Maintain high performance

- Reliable operation between -20 °C to 45 °C ambient temperature
- Trustable claimed lifetime
- 50,000 switching cycles

Easy to experience

- Instant on, no flicker or buzz
- Advanced optical design ensures a uniform light output and superior optical efficiency

Energy Efficient

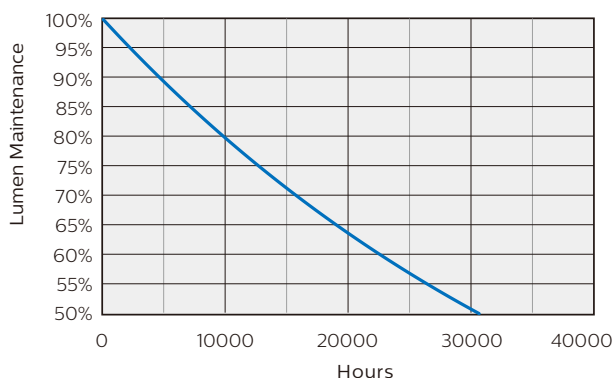
- Energy savings up to 40%*

* Based on comparison between 18W Essential LEDtube standard and Philips TL5 standard 28W (30-32W system power when working with Electronics Ballasts)

Safe and forget

- Protection circuit inside ensuring people's safety in case of mis-use, complying with IEC safety requirements
- Pass 4KV high-pot test, insulation & safety guaranteed
- Pass 1KV surge test (vs. IEC standard 500V), avoiding the damage caused by input voltage fluctuation and lightning strike
- Slim size fitting into most of T5 fluorescent luminaire perfectly

Lifetime and Lumen Maintenance

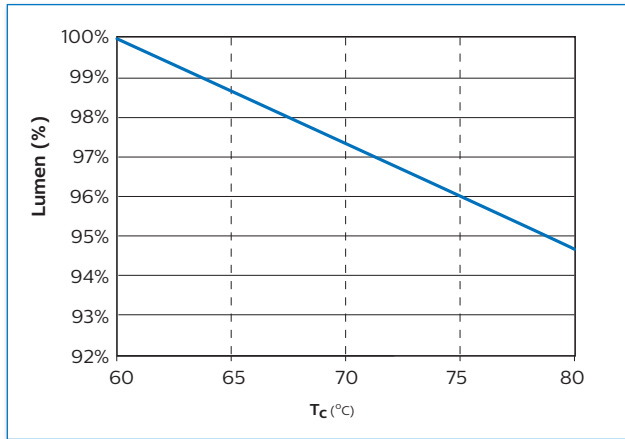


Philips 恒亮 LEDtube T5 has a lifetime of 15,000 hours, defined as the number of hours when 50% of a large group of identical lamps below 70% of its initial lumens.

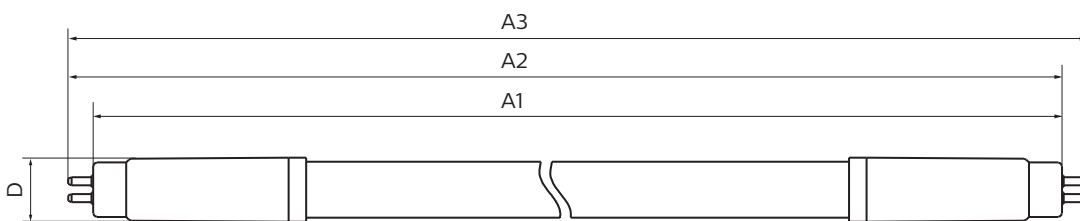
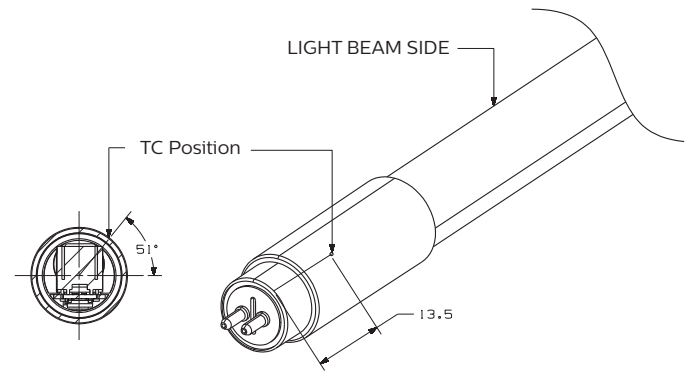
Temperature

Philips 恒亮 T5 LEDtube's excellent thermal design ensures low temperature during operating, which brings reliable and stable product performance throughout life time.

Operating temperature	T _{operating}	min -20°C	max +45°C
Storage temperature	T _{storage}	min -40°C	max +65°C
Maximum surface temperature of tube at Tamb.=25°C	T _{surface}	+60°C	



Dimension: mm



Dimensions (mm)

Product	A1	A2	A3	D
2Ft	549.0	553.1/556.1	563.2	18.5
4Ft	1149.0	1153.7/1156.1	1163.2	18.5

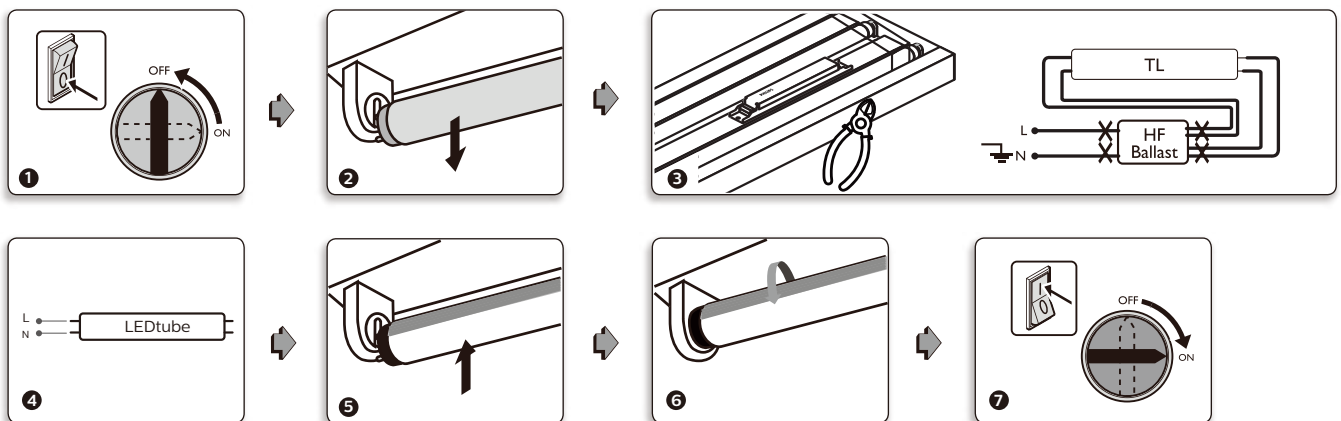
Technical specification

Product Description	Wattage	Voltage	Cap	Length	Beam Angle	Lifetime	Lumen output	CCT	CRI *	Model Number
	(W)	(V)		(mm)	(°)	(hrs)	(lm)	(K)	(Typical)	
恒亮 LEDtube 600mm 8W730 G5 CN	8	220-240	G5	600	200	15,000	750	3000	70	929002225710
恒亮 LEDtube 600mm 8W740 G5 CN	8	220-240	G5	600	200	15,000	800	4000	70	929002225810
恒亮 LEDtube 600mm 8W765 G5 CN	8	220-240	G5	600	200	15,000	800	6500	70	929002225910
恒亮 LEDtube 1200mm 18W730 G5 CN	18	220-240	G5	1200	200	15,000	1700	3000	70	929002226010
恒亮 LEDtube 1200mm 18W740 G5 CN	18	220-240	G5	1200	200	15,000	1800	4000	70	929002226110
恒亮 LEDtube 1200mm 18W765 G5 CN	18	220-240	G5	1200	200	15,000	1800	6500	70	929002226210

Quick Installation Guide

Please take the time to read quick installation guide which is showed on the product package. Philips Lighting does not accept liability for any damages for installations not performed according to this guide or not performed by a professional electrician.

• HF ballast based system



© 2024 Signify

All rights reserved. Reproduction in whole or in part is prohibited without the prior written consent of the copyright owner. The information presented in this document does not form part of any quotation or contract, is believed to be accurate and reliable and may be changed without notice. No liability will be accepted by the publisher for any consequence of its use. Publication thereof does not convey nor imply any license under patent or other industrial or intellectual property rights.

01/2024
www.philips.com/lighting