



Masterseal™ Compact

Ingress Protected IP66



Features

INGRESS PROTECTED IP66

The new and innovative Masterseal™ Compact range of switches and sockets from MK, has been specifically designed for use in either outdoor or indoor environments and in areas heavily exposed to dust and splashing water. Sealed to IP66 and tested by MK well in excess of British Standard, it will protect you and your electrical supply in the unfriendliest of environments.

In addition to its ease of installation, the range is aesthetically pleasing with a modern, slim and curved design, allowing the switches and sockets to blend easily with their surroundings.

Waterproof and Dustproof

Offers protection from strong jets of water from any direction, and protection from dust, sawdust and small particles

Durable Material

The use of high quality plastic prevents discoloration, cracking or fading in UV light

Temperature Tolerant

Reliable in operation during extremes of heat or cold

Robust Construction

A robust range of products made with polycarbonate, one of the toughest thermoplastics available in the world.



Water proof connection to safeguard home and family



Dust proof connection to safeguard work areas.



Masterseal™ Compact's unique design means socket outlets retain their IP66 rating when in use.



The launch of 13 new products of Translucent Lid into Masterseal Compact Range

Masterseal™ Compact's 1 gang switched socket outlet, SP switches and DP switches are now available in **Translucent Lid**, allowing visibility of the neon when the socket is being switched on.

This range is recommended to be installed where users required a clear visual indication that switches are 'ON' without opening the cover lid, such as in the garden to support lawn mowers and hedge trimmers.

The Translucent Lid offers an alternative to the standard product, which allow to check on the switch or socket without opening the Lid thus enhancing work site safety.

- Available in White and Grey
- Service Back Box available
- Compatible with certain accessories from the UK Masterseal™ range

Socket Outlets

13 AMP & 15 AMP

Switches

10 AX



86486 WHI



86480 WHI



86893 GRY



86401 GRY



86402 GRY



86486 TC GRY



86772 GRY



86493 TC WHI



86401 TC WHI



86402 TC WHI

86486 GRY
86486 WHI
13AMP 1 gang SP
switched

86480 GRY
86480 WHI
13AMP 1 gang
unswitched

86893 GRY
86893 WHI
15AMP 1 gang
switched

86401 GRY
86401 WHI
10AX 1 gang
2 way SP switch

86402 GRY
86402 WHI
10AX 2 gang
2 way SP switch

86486 TC GRY
86486 TC WHI
13AMP 1 gang SP
switched with
Translucent Lid

86772 GRY
86772 WHI
15AMP 1 gang
unswitched

86893 TC GRY
86893 TC WHI
15AMP 1 gang
switched with
Translucent Lid

86401 TC GRY
86401 TC WHI
10AX 1 gang
2 way SP switch with
Translucent Lid

86402 TC GRY
86402 TC WHI
10AX 2 gang
2 way SP switch with
Translucent Lid

Service Module Range (Without Back Box)

SM86486 GRY
SM86486 WHI
13AMP 1 gang SP
switched

SM86480 GRY
SM86480 WHI
13AMP 1 gang
switched

SM86893 GRY
SM86893 WHI
15AMP 1 gang
switched

SM86401 GRY
SM86401 WHI
10AX 1 gang
2 way SP switch

SM86402 GRY
SM86402 WHI
10AX 2 gang
2 way SP switch

SM86486 TC GRY
SM86486 TC WHI
13AMP 1 gang SP
switched with
Translucent Lid

SM86772 GRY
SM86772 WHI
15AMP 1 gang
unswitched

SM86893 TC GRY
SM86893 TC WHI
15AMP 1 gang
switched with
Translucent Lid

SM86401 TC GRY
SM86401 TC WHI
10AX 1 gang
2 way SP switch with
Translucent Lid

SM86402 TC GRY
SM86402 TC WHI
10AX 2 gang
2 way SP switch with
Translucent Lid

Switches

10 AX

10 AMP

Connection Unit

13 AMP

Switch Modular

20 AMP



86403 WHI



86407B GRY



86407P WHI



86072 WHI



86423 GRY



86403 TC GRY



86407B TC GRY



86407P TC GRY



86072 TC GRY



86423 TC WHI

86403 GRY
86403 WHI
10AX 3 gang
2 way SP switch

86403 TC GRY
86403 TC WHI
10AX 3 gang
2 way SP switch with
Translucent Lid

86407B GRY
86407B WHI
10AMP 1 gang
1 way SP push switch
marked 'BELL'

86407B GRY
86407B WHI
10AMP 1 gang
1 way SP push switch
marked 'BELL' with
Translucent Lid

86407P GRY
86407P WHI
10AMP 1 gang
1 way SP push switch
marked 'PRESS'

86407P TC GRY
86407P TC WHI
10AMP 1 gang
1 way SP push switch
marked 'PRESS' with
Translucent Lid

86072 GRY
86072 WHI
13AMP switched fused
connection unit with
front flex outlet

86072 TC GRY
86072 TC WHI
13AMP switched fused
connection unit with
front flex outlet with
Translucent Lid

86423 GRY
86423 WHI
1 gang 20AX
DP switch with neon

86423 TC GRY
86423 TC WHI
1 gang 20AX
DP switch with neon and
Translucent Lid

Service Module Range (Without Back Box)

SM86403 GRY
SM86403 WHI
10AX 3 gang
2 way SP switch

SM86403 TC GRY
SM86403 TC WHI
10AX 3 gang
2 way SP switch with
Translucent Lid

SM86407B GRY
SM86407B WHI
10AMP 1 gang
1 way SP push switch
marked 'BELL'

SM86407B TC GRY
SM86407B TC WHI
10AMP 1 gang
1 way SP push switch
marked 'BELL' with
Translucent Lid

SM86407P GRY
SM86407P WHI
10AMP 1 gang
1 way SP push switch
marked 'PRESS'

SM86407P TC GRY
SM86407P TC WHI
10AMP 1 gang
1 way SP push switch
marked 'PRESS' with
Translucent Lid

SM86072 GRY
SM86072 WHI
13AMP switched fused
connection unit with
front flex outlet

SM86072 TC GRY
SM86072 TC WHI
13AMP switched fused
connection unit with
front flex outlet with
Translucent Lid

SM86423 GRY
SM86423 WHI
1 gang 20AX
DP switch with neon

SM86423 TC GRY
SM86423 TC WHI
1 gang 20AX
DP switch with neon and
Translucent Lid

Voice Outlet

RJ 11



86431 GRY



86503 GRY



86432 GRY



86504 GRY



86817 GRY



86431 TC WHI



86503 TC WHI



86432 TC WHI



86504 TC GRY



86817 TC WHI

86431 GRY*
86431 WHI*
20AX 1 gang 2 way
SP switch

86503 GRY*
86503 WHI*
20AX 1 gang 1 way
DP switch

86432 GRY*
86432 WHI*
20AX 2 gang 2 way SP
switch

86504 GRY*
86504 WHI*
20AX 2 gang 1 way DP
switch

86817 GRY
86817 WHI
1 gang RJ11 4 Wire
telephone socket

86431 TC GRY*
86431 TC WHI*
20AX 1 gang 2 way
SP switch with
Translucent Lid

86503 TC GRY*
86503 TC WHI*
20AX 1 gang 1 way
DP switch with
Translucent Lid

86432 TC GRY*
86432 TC WHI*
20AX 2 gang 2 way
SP switch with
Translucent Lid

86504 TC GRY*
86504 TC WHI*
20AX 2 gang 1 way
DP switch with
Translucent Lid

86817 TC GRY
86817 TC WHI
1 gang RJ11 4 Wire
telephone socket

Service Module Range (Without Back Box)

SM 86431 GRY*
SM 86431 WHI*
20AX 1 gang 2 way
SP switch

SM 86503 GRY*
SM 86503 WHI*
20AX 1 gang 1 way
DP switch

SM 86432 GRY*
SM 86432 WHI*
20AX 2 gang 2 way SP
switch

SM 86504 GRY*
SM 86504 WHI*
20AX 2 gang 1 way DP
switch

SM86817 GRY
SM86817 WHI
1 gang RJ11 4 Wire
telephone socket

SM 86431 TC GRY*
SM 86431 TC WHI*
20AX 1 gang 2 way
SP switch with
Translucent Lid

SM 86503 TC GRY*
SM 86503 TC WHI*
20AX 1 gang 1 way
DP switch with
Translucent Lid

SM 86432 TC GRY*
SM 86432 TC WHI*
20AX 2 gang 2 way
SP switch with
Translucent Lid

SM 86504 TC GRY*
SM 86504 TC WHI*
20AX 2 gang 1 way
DP switch with
Translucent Lid

SM86817 TC GRY
SM86817 TC WHI
1 gang RJ11 4 Wire
telephone socket

* Please contact local MK Electric for details of availability.

Data & Voice Outlets

Frontplate



86450 WHI



86451 WHI

A complete product of
86450 WHI & SX5453 WHI



Data & Voice Module



SX5452 WHI



SX5453 WHI



SX5454 WHI



SX5455 WHI



86504 GRY



86504 WHI



56462 WHI



56463 WHI



56464 WHI



56460 WHI



56461 WHI



9933

86450 GRY
86450 WHI
1 gang euro plate
1 module

86451 GRY
86451 WHI
1 gang euro plate
2 modules

Service Module Range (Without Back Box)

SM86450 GRY
SM86450 WHI
1 gang euro plate
1 module

SM86451 GRY
SM86451 WHI
1 gang euro plate
2 modules

SX5452 WHI
1 module blank plate
(For use with
86450 WHI/
86451 WHI)

SX5453 WHI
1 module adaptor
(For use with
86450 WHI/
86451 WHI)

SX5454 WHI
RJ45 CAT 5e Jack

SX5455 WHI
RJ11 Jack

86504 GRY
86504 WHI
1 gang back box

56462 BLK
56462 WHI
20mm plain conduit
entry

56463 BLK
56463 WHI
20mm threaded
conduit entry

56464 GRY
56464 WHI
20mm box coupler

56460 GRY
56460 WHI
Conduit entries-blank

56461 BLK
56461 WHI
Conduit entries-direct
entry

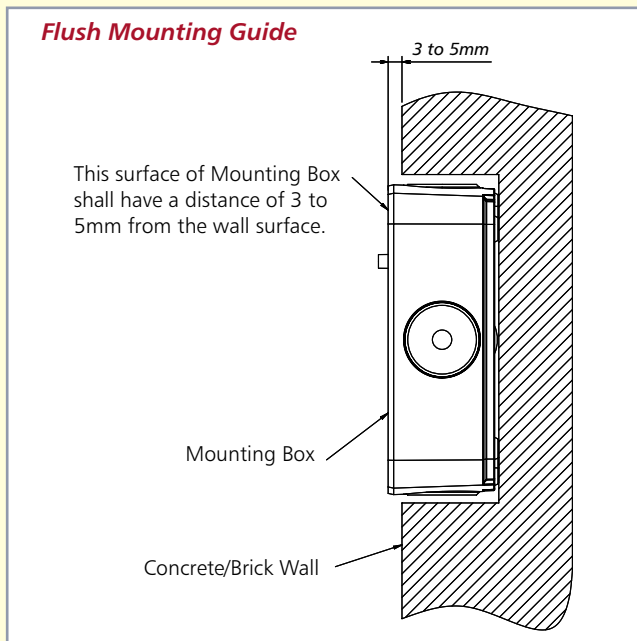
9933
M20 earth lead
adaptor

Technical Information

INGRESS PROTECTED IP66

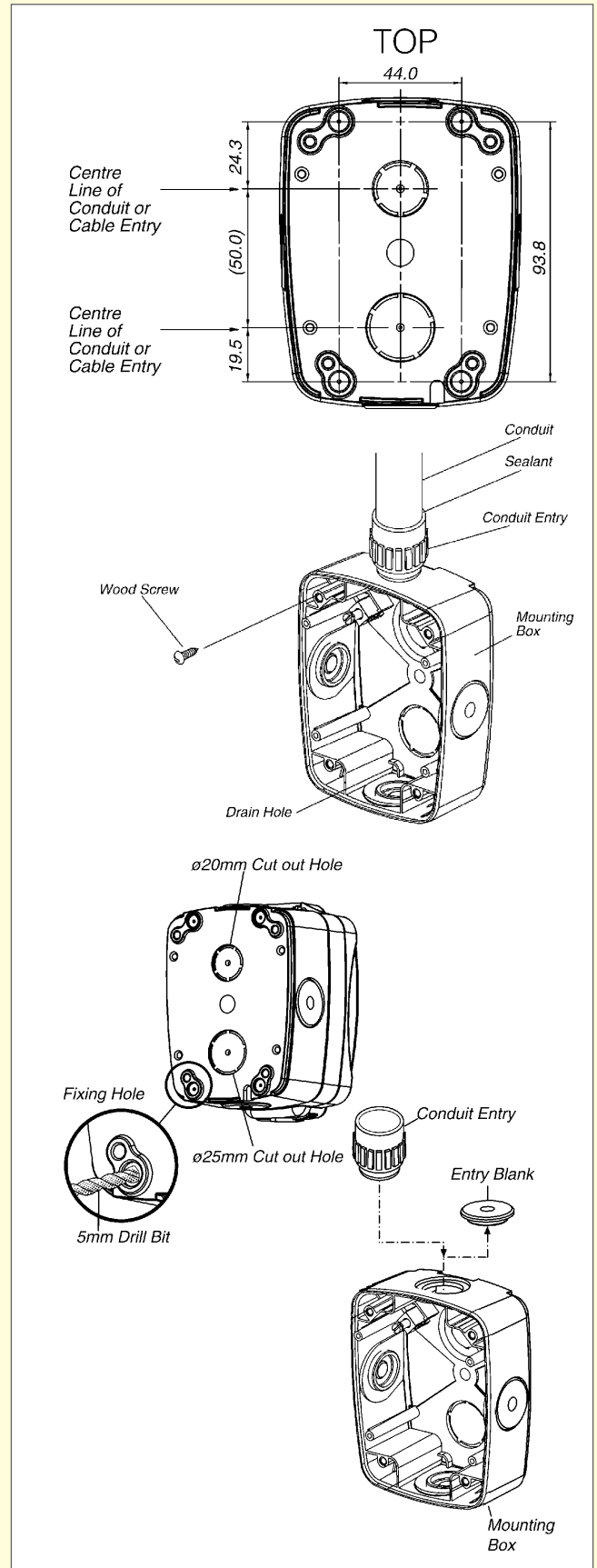
Product Range Features

- Surface mounted and flush mounted products and associated service items are available.
- If flush mounting is intended, the conduit cable entry shall be installed from the rear of the mounting box.



- Suitable for indoor and outdoor use wherever dirt and moisture protection is required. All products accept MK push in conduit and cable entries.
- The use of Polycarbonate for the housing of the products created a robust range of switches and socket outlets.
- Provided all enclosure lids are closed and the products are correctly installed, the Masterseal™ Compact range offers an international protection code of IP66 when the products are in or out of use.
- Only plugs that have cable entry from a side edge will allow the lid to close correctly.
- All products conform to their relevant National standard as well as the standard for enclosures BSEN/IEC60529. 13AMP Sockets conform to BS1363 : Part 2, connection units to BS1363:Part 4 and switches to IEC60669-1.

Installation Guide



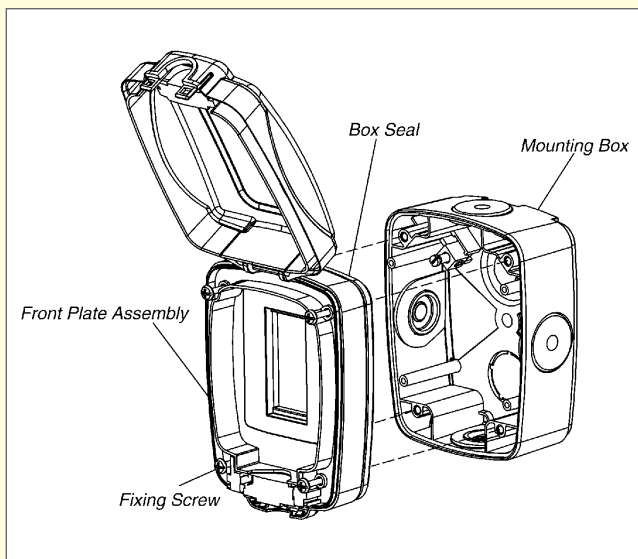
Service Items

List No.	Description	D x H mm
56460	Entry Blank	26.9 dia x 5.25
56461	PVC Cable Entry	26.9 dia x 10.15
56462	20mm Plain Conduit Entry	26.9 dia x 28
56463	20mm Threaded Conduit Entry	26.9 dia x 28
56464	Box Coupler	26.9 dia x 16.5
9933	M20 Earth Lead Adaptor	

Safety Instructions

Switch off and isolate the mains supply before carrying out installation of the Masterseal™ Compact product.

1. The Masterseal™ Compact Euro Data Enclosure 86540 and 86541 are intended for use with extra low voltage data and telephone modules. Data and telephone outlets must not be mixed with other modules intended for mains supply (110-250 VAC 50/60Hz).
2. This product should be installed by a competent person (eg. a qualified electrician).
3. It is essential that all connections are made as instructed, such that cables are not stressed and terminals are fully tightened.



The box seal is attached on the front plate. Ensure the holes are aligned and the slot in the seal is aligned with the ribs on the mounting box.

Wire and fit the front plate. Ensure the seal is correctly located and no cables are trapped.

User Guide



The full IP66 rating is only achieved when the lid is clipped in the closed position.

Do not operate with damp hands or whilst it is raining.

For the enclosure of a socket-outlet, ensure the cable to the appliance is positioned so as to pass through the gel seal before closing the lid, thereby preventing accidental damage to the cable. The gel seal may stain the cable sleeve, this does not cause harm to the cable.

Specification

This product complies with the following standard.

General	BS 5733
13A Socket-outlet	BS 1363-2
15A Socket-outlet	BS 546
Connection Unit	BS 1363-4
Switch	IEC 60669-1
Environmental Protection	BSEN/IEC60529
Operating Temperature	-5°C to +40°C
Material	Polycarbonate UV stabilised

IP	6	6
Ingress protection	Dustproof to sawdust, dust and other small particles	Waterproof to strong jets of water, from any direction



MK ELECTRIC

MK Electric (Singapore) Pte Ltd 8 Pandan Crescent, UE Tech Park #01-06 (LL4), Singapore 128464	Telephone : (65) 6461 6333	Facsimile : (65) 6461 6336 / (65) 6461 6338
MK Electric (Malaysia) Sdn Bhd (Co. No. 39068-A) Komplek Perusahaan LTAT Jalan Pengapit 15/19, 40000 Shah Alam Selangor Darul Ehsan, Malaysia	Telephone : (603) 5519 4507	Facsimile : (603) 5510 8867
MK Electric (China) Ltd 25/F Honeywell Tower, Olympia Plaza, 255 King's Road, North Point, Hong Kong	Telephone : (852) 2331 9133 (852) 2834 1988	Facsimile : (852) 2151 9465
PT. MK Electric (Indonesia) Mangga Dua Harco Blok E25, Floor 4 Jakarta 10730	Telephone : (62) 021 625 6204	Facsimile : (62) 021 612 1987
Website www.mkelectric.com.sg	Publication No: masterseal_compact R2 0208	

